



BRADNAM'S

CASEMENT WINDOWS

Traditional style and elegance
for today's modern homes



Bradnam's
windows & doors

Casement Window Range

If you're looking to invite fresh air into your home, you can't look past **casement windows**. Strong, secure and stylish, Bradnam's casement windows are a long established favourite with a range of practical benefits.

Essential Casement Windows

Welcome the fresh air into your home with our '**Essential**' casement windows. An old-style favourite reimaged in a contemporary setting, our casement windows have an almost 90 degree opening angle and are great for ventilation.



Signature Casement Windows

Architectural, sturdy and oh-so-very classy, our '**Signature**' casement windows accentuate picturesque views with a 'picture frame' look created with improved mitre joints and narrow frame profiles.

Signature LB Casement Windows

Our premium '**Signature LB**' casement windows are strong, secure and stylish. Best of all, optional security and insect screens can be installed to keep bugs and intruders out without compromising access to the handle.

Performance Parameters

	Essential	Signature	Signature LB
Frame size	52mm	100mm	100mm
Maximum window height	1800mm	1800mm	2400mm
Maximum window width	3440mm	3440mm	3440mm
Maximum panel width	860mm	860mm	860mm
Maximum panel weight	42kg	42kg	42kg
Maximum water rating	600Pa	600Pa	600Pa
Maximum wind rating	4500Pa ULS	4500Pa ULS	6000Pa ULS
Maximum glass thickness (single glazed)	12.76mm	12.76mm	12.76mm
Maximum glass thickness (double glazed)	24mm	24mm	24mm
Maximum acoustic rating	Rw37	Rw38	Rw38
Maximum bushfire rating	BAL 40	BAL 40	BAL 40
Lowest U-value (single glazed)	5.5	5.1	
Lowest U-value (double glazed)	4.7	3.6	

Features & Benefits

Essential . Signature . Signature LB

Lifestyle & Comfort

- Increased natural ventilation thanks to near 90-degree opening angle
- Safety-first design with no exposed sharp edges reducing the chance of injury

Optional

- Window opening restrictions – ideal for upper storey windows
- Keyed locks for enhanced security and peace of mind

Design & Aesthetic

- Accentuated picturesque views with ‘picture frame’ look created with improved mitre joints
- Architectural symmetry allows for design integration with other Bradnam’s products

Performance & Reliability

- Easy operation thanks to stainless steel stays (supports)
- Year-round weather proofing facilitated by high quality window seals
- Various glazing options to suit your needs, including single and double glazing

Optional

- Internal glazing system – ideal for upper storey windows

+ Premium Features

Signature and Signature LB Only

- Superior strength thanks to robust 100mm frames
- Superior weather proofing thanks to Santoprene seals designed to protect against harsh Australian weather

Signature LB Only

- Stylish and functional hardware for aesthetics and ease of operation
- Curtain-friendly design protects your window furnishings thanks to folding handles
- Optional security and insect screens can be installed to keep bugs and intruders out without compromising access to the handle
- Effortless operation thanks to dual arm stainless steel stays (supports)
- Comprehensive security with unique lever and key operated multi-point locking system

Smart Solutions

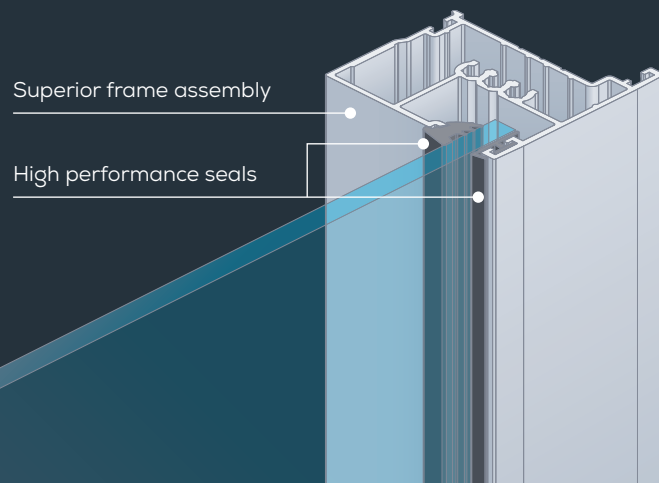
High Performance Windows and Doors

Building in today's environment demands the need to satisfy energy, acoustics, security and bushfire requirements. Bradnam's **Smart Solutions** range is designed to augment all Essential, Signature and Signature LB products to satisfy these needs.

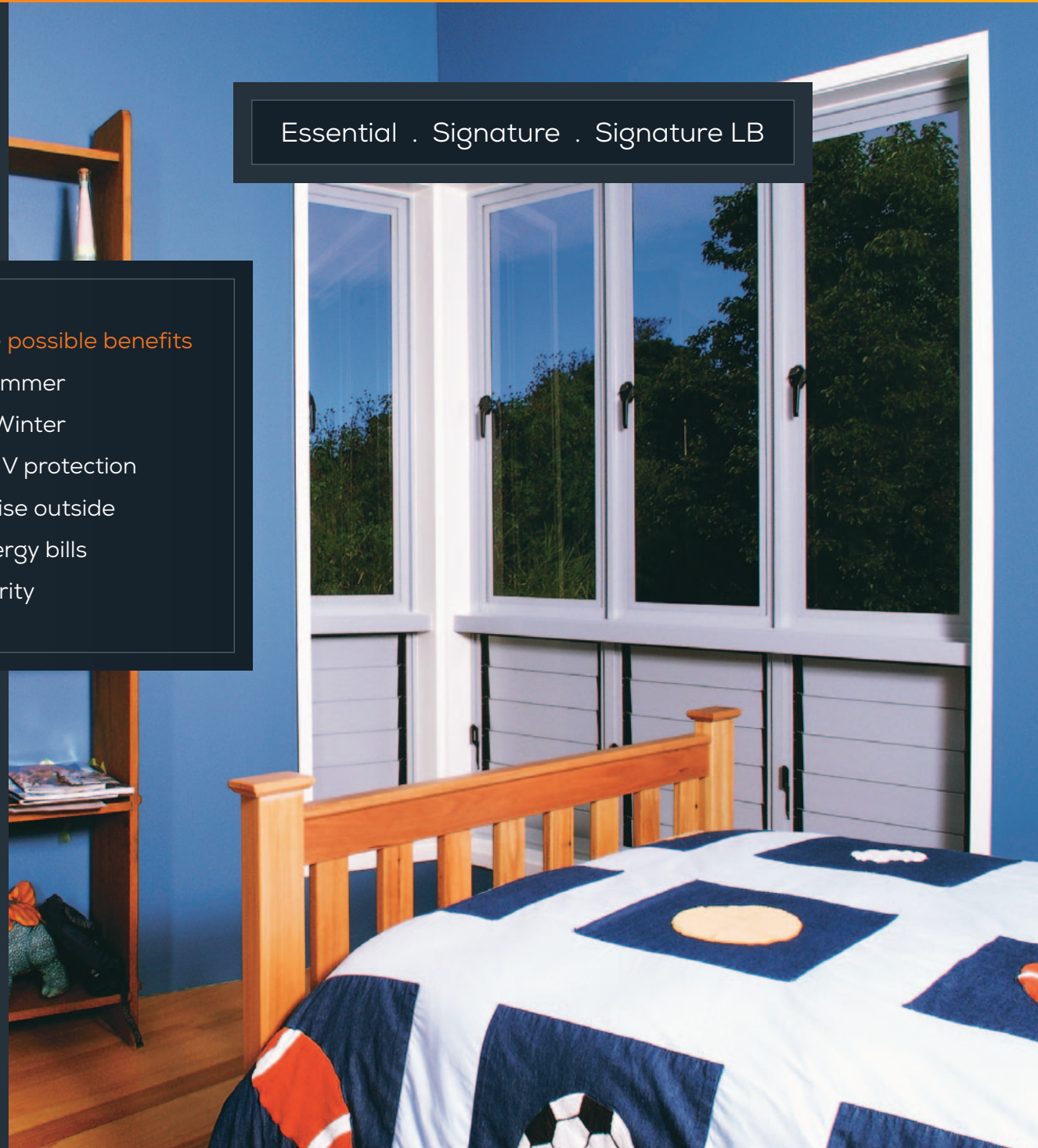
Some of the possible benefits

- Cooler in Summer
- Warmer in Winter
- Enhanced UV protection
- Minimise noise outside
- Save on energy bills
- Added security

Performance comes from **more** than just glass



Essential . Signature . Signature LB



As the market leader in Australia for aluminium and glass building products, Bradnam's have developed its range of **Smart Solutions** to meet all high performance requirements.

+ Premium Smart Solution

Double Glazed

Year-round Comfort

- Acts as extra insulation by limiting the flow of hot or cold air in and out of your home
- Helps maintain comfortable temperatures inside across all seasons

Energy Reduction

- Reduce reliance on air conditioning and heaters – lowering electricity bills
- Consume less energy for a smaller carbon footprint

Noise Reduction

- Minimise outside noise – creating a quiet haven inside your home

Safety

- Extra strong resistance to unwanted attacks by intruders

Climate Control Solutions

Solar Comfort™

Year-round Comfort

- Designed to reflect heat away in summer and keep heat inside during winter
- Enjoy the ideal temperature in your home all year round – cooler in summer, warmer in winter

Energy Reduction

- Keep power bills down by reducing the need for additional heating and cooling
- Help save the environment by consuming less energy

Solar Block™

Cooler in Summer

- Minimise the flow of heat into your home – enjoy summer without feeling the heat
- Acts like a pair of sunglasses for your home, reducing glare by up to 78%

Energy Reduction

- Save on electricity bills by reducing the need for air conditioners
- Minimise your carbon footprint by consuming less energy

Specialty Solutions

Safety

Safety

- Effective, affordable barrier against forced entry
- Enjoy peace of mind knowing that your home has extra protection

Sound Smart™

Noise Reduction

- Reduce unwanted external noise – nearby traffic or noisy neighbours,

FlameShield™

Superior Bushfire Protection

- Meets Australian Standard AS3959:2009, which is aimed to reduce the risk of loss of life and property in bushfire prone areas

CASEMENT WINDOWS

Essential . Signature . Signature LB



Hardware

The hardware displayed on this page are a guide only. Bradnam's recommend the viewing of an actual hardware product prior to order.

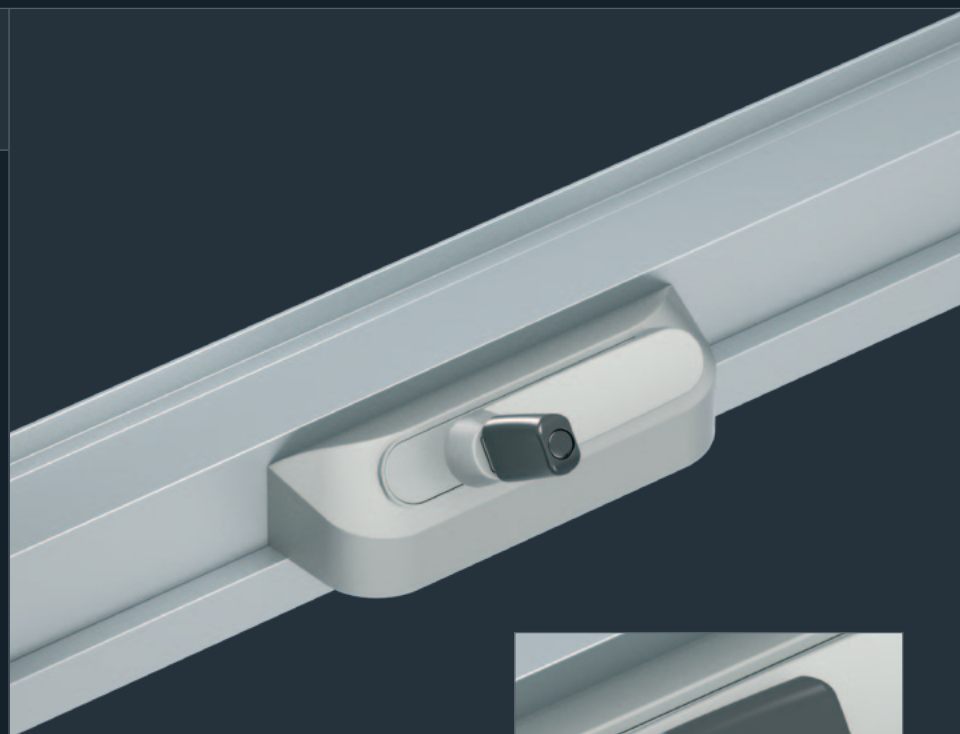
	Black Matt	Black Gloss	White	Ultra Silver	Designer Silver	Stainless Steel Finish
ESSENTIAL		•	•	•	•	•
SIGNATURE		•	•	•	•	•
SIGNATURE LB		•	•	•	•	

SIGNATURE LB

ESSENTIAL

SIGNATURE

Lever & key operated locking system



Handle can be folded to minimise interference with window furnishings





For more information call Bradnam's on
1300 WINDOWS 1300 946369
or visit bradnams.com.au

WINDOWS & DOORS

INSECT & SAFETY SCREENS

SHOWER SCREENS

MIRRORS & WARDROBES

SPLASHBACKS & SHELVING



Australian
Owned & Made

Bradnam's products are proudly made
in Australia and designed specifically
to meet all Australian conditions

Note: Products may be subject to local
variation, regulatory requirements and
confirmation of structural performance



 **Bradnam's**
windows & doors

Bradnam's Windows and Doors . QBCC Act lic 58885
© Bradnam's Windows and Doors Aug 2016